



MBC MAMMOGRAPHY / BIOPSY CHAIR OPERATING MANUAL

**READ THIS MANUAL BEFORE OPERATING YOUR
MBC MAMMOGRAPHY / BIOPSY CHAIR.**

SAVE THIS MANUAL FOR FUTURE USE.

**THE MOST CURRENT VERSION OF THIS MANUAL CAN BE
FOUND ONLINE AT WWW.HAUSTED.COM.**

CONTENTS

INTRODUCTION — A WORD FROM GF HEALTH PRODUCTS, INC.	3
INDICATIONS FOR USE.....	3
SERVICE INFORMATION	3
ADVISORY	3
1 LIST OF WARNINGS AND CAUTIONS.....	4
SIGNIFICANCE OF SAFETY STATEMENTS	4
DANGER / WARNING / CAUTION / NOTICE SUMMARY	4
WARNING: TO REDUCE THE RISK OF PERSONAL INJURY.....	4
WARNING — PROPER OPERATION.....	4
IMPORTANT — REPORT ANY SHIPPING DAMAGE IMMEDIATELY.....	5
NOTICE — POSSIBLE EQUIPMENT DAMAGE	5
WARNING — PERSONAL INJURY HAZARD.....	5
UNPACKING INSTRUCTIONS	5
3 OPERATING INSTRUCTIONS.....	6
MBC SPECIFICATIONS.....	7
3.1 BRAKING AND STEERING OPERATION	8
3.1.1 APPLYING THE BRAKES.....	8
3.1.2 RELEASING THE BRAKES.....	8
3.1.3 APPLYING THE STEERING LOCK	8
3.1.4 RELEASING THE STEERING LOCK	8
3.2 HEIGHT AND TOP ADJUSTMENT	9
3.2.1 HEIGHT ADJUSTMENT	9
3.2.2 LOWERING THE UNIT.....	9
3.2.3 TOP ADJUSTMENT	9
3.2.4 TRENDELENBURG ADJUSTMENT	9
3.3 CPR / SURGICAL SUPPORT LEG ACCESSORY NUMBER HAPC02500.....	10
3.3.1 OPERATING INSTRUCTIONS.....	10
CPR USE.....	10
STORAGE	10
4 PREVENTIVE MAINTENANCE FOR THE USER.....	11
5 OPTIONAL ACCESSORIES	12
6 GF HEALTH PRODUCTS, INC. LIMITED WARRANTY FOR HAUSTED BRAND STRETCHERS AND CHAIRS	13
7 DISPOSAL AND KEY TO SYMBOLS.....	14
DISPOSAL.....	14
KEY TO SYMBOLS.....	14
8 INDEX.....	15

COPYING PROHIBITED

This manual is protected by Federal Copyright Law, which provides for damages of up to USD \$20,000, as well as criminal fines and imprisonment, for unauthorized copying.

INTRODUCTION — A WORD FROM GF HEALTH PRODUCTS, INC.

This manual contains important information on proper use and maintenance of the Hausted MBC Mammography / Biopsy Chair. All personnel involved in the use and maintenance of this equipment must carefully review and comply with the warnings, cautions and instructions contained in this manual. These instructions are important to protect the health and safety of personnel operating the MBC and should be retained in a conveniently accessible area for quick reference.

Complete instructions for uncrating and putting your new equipment in service, as well as equipment drawings, have been furnished. If missing, contact GF Health Products, Inc. for replacement copies, giving the serial number and model number of the unit.

GF Health Products, Inc. carries a complete line of accessories for use with these chairs; your representative will gladly review these with you.

INDICATIONS FOR USE

The Hausted MBC Mammography / Biopsy Chair is intended for use in patient treatment, transport or recovery.

The chair's backrest can be positioned from sitting to supine, and height is adjustable. Four easy-rolling, steerable casters allow maximum mobility and maneuverability.

SERVICE INFORMATION


A thorough preventive maintenance program is essential to safe and proper unit operation. This manual contains maintenance schedules and procedures which should be followed for satisfactory equipment performance.

We encourage you to contact GF Health Products, Inc. with maintenance concerns.

ADVISORY

A listing of the safety precautions to be observed when operating and servicing this equipment can be found in Section 1 of this manual. Do not operate or service the equipment until you have become familiar with this information. Any alteration of this equipment not authorized or performed by GF Health Products, Inc., could affect its operation, will void the warranty, could violate national, state, and local regulations, and could jeopardize your insurance coverage.

Info: Column 1 below applies only if product was purchased outside the U.S.

	<table border="1"><tr><td>EC</td><td>REP</td></tr></table>	EC	REP
	EC	REP	
EC Authorized Representative: CEpartner4U BV ESDOORNLAAN 13 3951DB MAARN The Netherlands +31(0)6 516 536 26			

	Manufactured by: GF Health Products, Inc. One Graham-Field Way Atlanta GA 30340-3140 1.770.368.4700 Main 1.770.368.2386 Fax www.grahamfield.com www.Hausted.com
---	---

Info: The base language of this document is ENGLISH. Any translations must be made from the base language document.

1 LIST OF WARNINGS AND CAUTIONS

⚠ IMPORTANT: Before using the Hausted MBC Mammography / Biopsy Chair, please read and adhere to the following safety precautions and warnings. Failure to do so could result in serious personal injury or damage to the MBC Mammography / Biopsy Chair.

Always consult your healthcare professional to determine safe methods most suitable for your individual abilities. Protect yourself, your attendant, and the Hausted MBC Mammography / Biopsy Chair by having it serviced regularly. If you experience any malfunction, contact your Graham-Field authorized distributor immediately, as a hazardous condition could result, causing personal injury or damage to the Hausted MBC Mammography / Biopsy Chair.

Periodic inspection, adjustment and replacement of worn parts are necessary to provide years of excellent service. Maintenance **MUST** be performed by qualified personnel **ONLY**.

SAVE THESE INSTRUCTIONS.

SIGNIFICANCE OF SAFETY STATEMENTS

Please note the following special statements, used throughout this manual, and their significance:

- ⚠ DANGER:** Indicates a potential hazard situation or unsafe practice that, if not avoided, will result in death or serious personal injury.
- ⚠ WARNING:** Indicates a potential hazard situation or unsafe practice that, if not avoided, could result in death or serious personal injury.
- ⚠ CAUTION:** Indicates a potential hazard situation or unsafe practice that, if not avoided, could result in minor or moderate personal injury.
- ▲ NOTICE:** Indicates a potential hazard situation or unsafe practice that, if not avoided, could result in product or property damage.

Info: Provides application recommendations or other useful information to ensure that you get the most from your product.

DANGER / WARNING / CAUTION / NOTICE Summary

The following is a listing of the safety precautions which must be observed when operating and servicing this equipment. These precautions are repeated (in whole or in part), where applicable, throughout the manual.

WARNING: To Reduce the Risk of Personal Injury

- ⚠ WARNING: LACERATION HAZARD** — When cutting bands always use a tool specifically designed for that purpose. This will help to avoid personal injuries frequently incurred when bands are cut and tension released.
- ⚠ WARNING:** This product can expose you to chemicals including Di(2-ethylhexyl)phthalate (DEHP) which is known to the State of California to cause cancer or birth defects or other reproductive harm. For more information go to www.P65Warnings.ca.gov/furniture.

WARNING — Proper Operation

- ⚠ WARNING:** The MBC Mammography / Biopsy chair maximum patient weight is 325 lb (147 kg), **EVENLY DISTRIBUTED**.
- ⚠ WARNING:** The chair is not intended to replace a stretcher or gurney.
- ⚠ WARNING: PERSONAL INJURY HAZARD** — Do not sit on end — tipping may occur.

- ⚠ WARNING: PERSONAL INJURY HAZARD —** When the unit is in the stretcher position, **DO NOT** sit on the head or foot end of the patient surface.
- ⚠ WARNING: PERSONAL INJURY HAZARD —** **DO NOT** stand on the footrest or use it as a step stool. Tipping may occur.
- ⚠ WARNING:** Always secure patient with safety straps when left unattended in a fully reclined position.
- ⚠ WARNING: TIPPING HAZARD —** The CPR / Surgical Support Legs should be used at any time when the unit is in the horizontal position, as shown in Figure 3-8.
- ⚠ WARNING:** It is recommended that only accessories approved by GF Health Products, Inc. be used with this device. The use of accessories, transducers, and cables other than those specified by the manufacturer may result in increased emissions or decreased immunity of the Hausted equipment.

2 UNCRATING INSTRUCTIONS

IMPORTANT — REPORT ANY SHIPPING DAMAGE IMMEDIATELY

- ⚠ WARNING:** Inform shipper of any damages — leave carton intact. Leave equipment in the receiving area until inspection is complete.

NOTICE — POSSIBLE EQUIPMENT DAMAGE

- ▲ NOTICE:** This crate contains fragile, expensive medical equipment. Uncrate and handle carefully. If after uncrating the equipment you find any damage (no matter how slight), report the damage to GF Health Products, Inc.

WARNING — PERSONAL INJURY HAZARD

- ⚠ WARNING:** When cutting bands, always use a tool specifically designed for that purpose. This will help avoid personal injuries possibly incurred when bands are cut and tension is released.

IMPORTANT: Follow each step in the order shown in these instructions.

UNPACKING INSTRUCTIONS

Your Hausted equipment has been carefully packed at our manufacturing plant to ensure safe shipment to your medical facility. There are several procedures you must follow to put your new equipment in service. These procedures only take a few minutes to complete and all are required to ensure proper operation of the equipment.

1. Cut the two bands around the shipping carton.
2. Remove the top half of the carton and cut one side of the bottom half.
3. Remove the equipment from the carton.
4. Check to see if all features of the equipment work properly. If all features work, advance to step 5. If any of the features do not work properly, call GF Health Products, Inc. at 1.770.368.4700.
5. Clean the equipment using mild detergent to remove any dirt accumulated during shipment, and place the equipment into service.

3 OPERATING INSTRUCTIONS

This Operation Manual is to ensure proper use is understood and followed in order to obtain optimum safety and function of your Hausted MBC Mammography / Biopsy Chair.

The MBC's versatility in moving from a chair position to a fully reclined position is designed to permit convenient patient positioning and treatment. The MBC is not intended to replace a stretcher or gurney, of which we offer a complete product line for your specialty needs.

Hausted's MBC has a warning label located at the head and foot ends of the chair's frame, stating: **Do not sit on end: tipping may occur.**

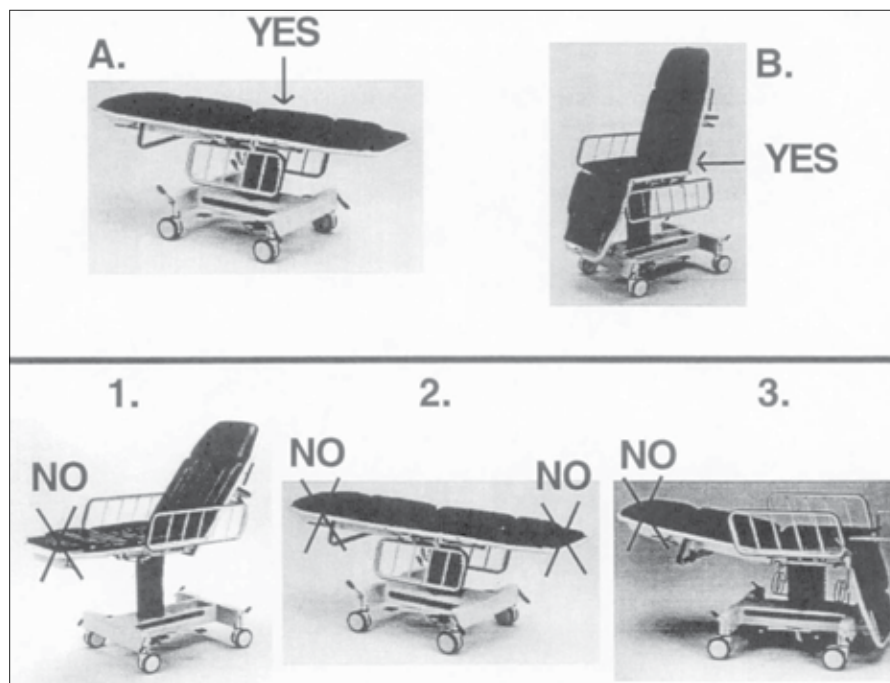


FIGURE 3-1

Patient entry, egress, and transfer from the MBC should always be from the center side rail locations by lowering the side rail as shown in diagrams A and B above. At no time should the patient be permitted to enter or exit from the ends of the MBC as shown on diagrams 1, 2 and 3, except in a full chair position.

⚠ WARNING: PERSONAL INJURY HAZARD — When the unit is in the stretcher position, DO NOT sit on the head or foot end of the patient surface.

⚠ WARNING: PERSONAL INJURY HAZARD — DO NOT stand on the footrest or use it as a step stool. Tipping may occur.

⚠ WARNING: Always secure patient with safety straps when left unattended in a fully reclined position.

Info: when not in use, do not leave the MBC in a fully reclined position.

These operating instructions are to ensure patient safety and permit you to use your Hausted MBC to treat, transport and transfer your patient with ease.

If you have any questions, please contact GF Health Products, Inc.'s Customer Service Department at 1.770.368.4700.

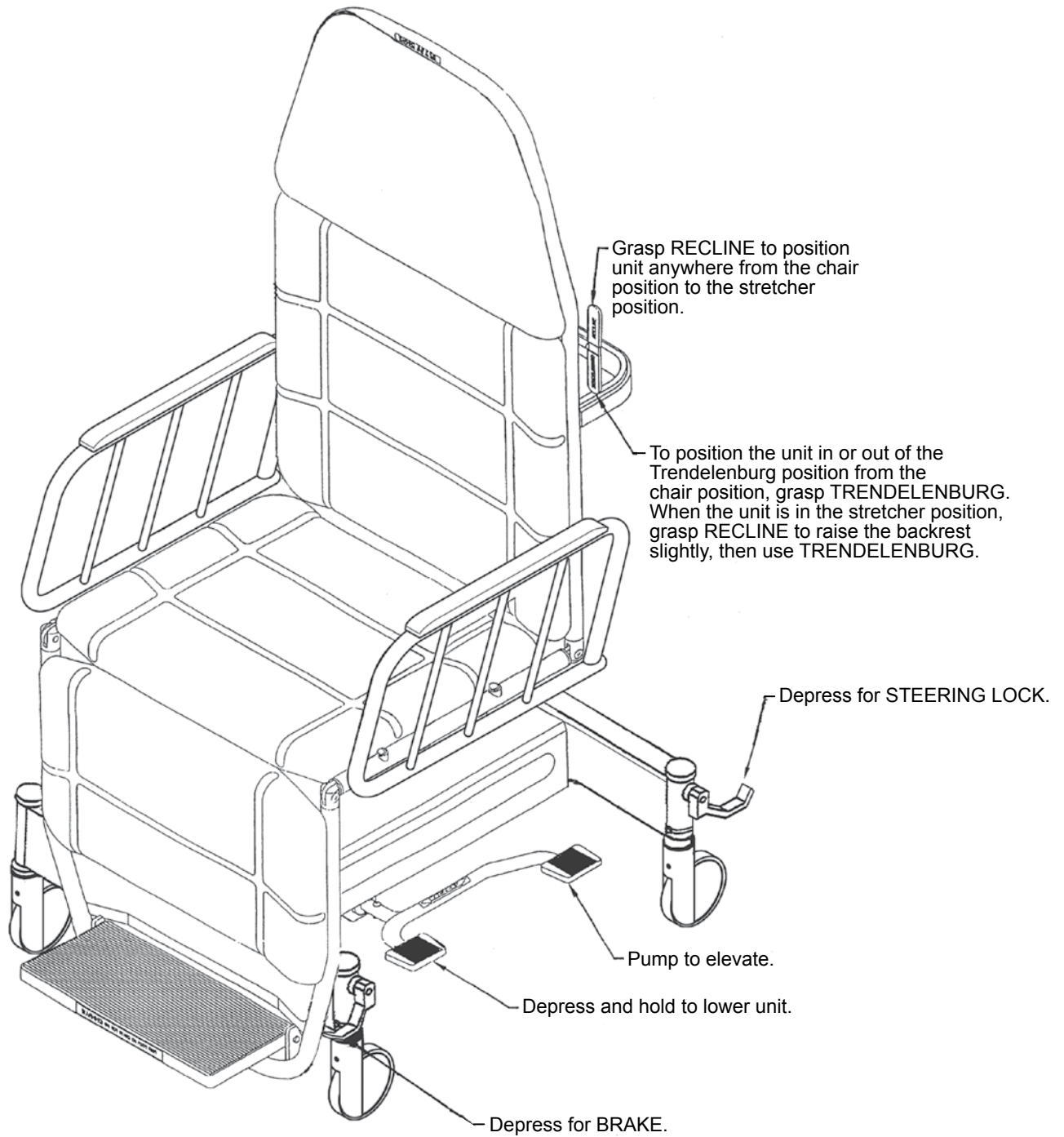


FIGURE 3-2

MBC SPECIFICATIONS

Height adjustment	Hydraulic		
Backrest adjustment (including 10° Trendelenburg)	Pneumatic		
Caster braking system	Four-wheel braking system with steering lock		
Dimensions	Overall dimensions of patient surface	Chair position	Stretcher position
	Width	22 in. (56 cm)	22 in. (56 cm)
	Length	50 in. (127 cm)	70.5 in. (179 cm)

3.1 BRAKING AND STEERING OPERATION

3.1.1 Applying the Brakes

Activate the four-wheel central braking system by depressing the red pedal at patient left front to approximately 45° (Figure 3-3). This locks all four caster wheels from swiveling and rotating.

3.1.2 Releasing the Brakes

Release the four-wheel central braking system by depressing the green pedal at patient left rear until the pedal is in a horizontal position (Figure 3-3). All four wheels should then rotate and swivel freely.

⚠ WARNING: Ensure the brakes are locked when the patient is not being transported.

3.1.3 Applying the Steering Lock

Apply the steering lock by depressing the green pedal at patient left front downward to approximately 45° into locked position (Figure 3-3) and push the unit forward. One or both of the caster wheels at the opposite end will lock into a non-swivelling position that enables straight tracking and swivelling by the attendant; the steering lock will guide the unit along a straight path with minimal steering effort by the attendant. (See Figure 3-4)

3.1.4 Releasing the Steering Lock

Release the steering lock by depressing the red pedal at patient left rear until the pedal is in a horizontal position (Figure 3-4). All four casters should then rotate and swivel freely.

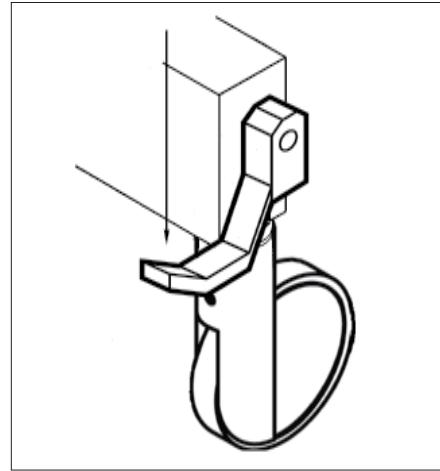


FIGURE 3-3

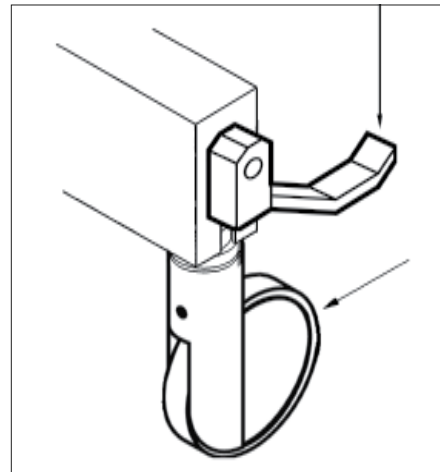


FIGURE 3-4

3.2 HEIGHT AND TOP ADJUSTMENT

3.2.1 Height adjustment

To elevate the unit, pump the UP pedal, using smooth full strokes to ensure patient comfort (See Figure 3-5).

Info: Pedals are located on both sides of the unit.

When the unit reaches the desired height, stop the pumping action.

▲ **NOTICE: Do not stand on the pedal.**

3.2.2 Lowering the unit

To lower the unit, depress and hold the DOWN pedal (See Figure 3-6).

Info: Pedals are located on both sides of the unit.

When the unit reaches the desired height, return the pedal to its original position.

▲ **NOTICE: Do not stand on the pedal.**

3.2.3 Top adjustment

To adjust the unit anywhere from the chair position to the stretcher position, grasp the RECLINE handle, (A), adjust the unit to the desired position, and release the handle (See Figure 3-7).

3.2.4 Trendelenburg adjustment

To adjust the unit into Trendelenburg position the unit must be in the CHAIR position.

Grasp the TRENDELENBURG handle (B), adjust the unit into Trendelenburg, and release the handle (See Figure 3-7).

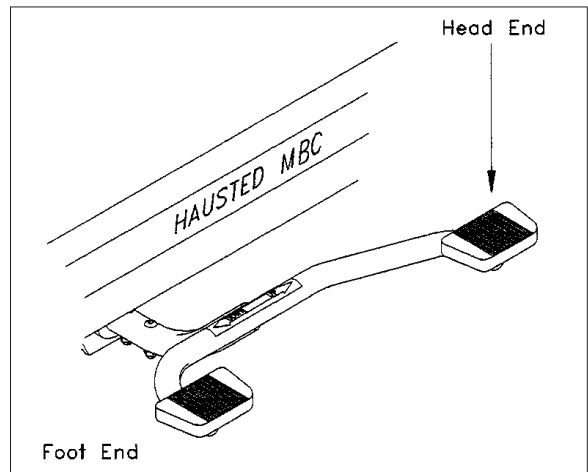


FIGURE 3-5

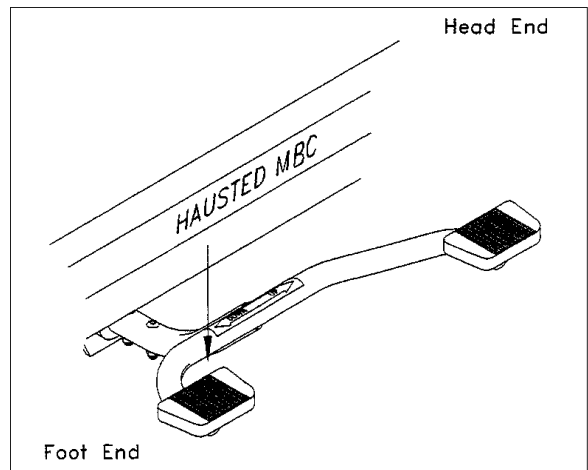


FIGURE 3-6

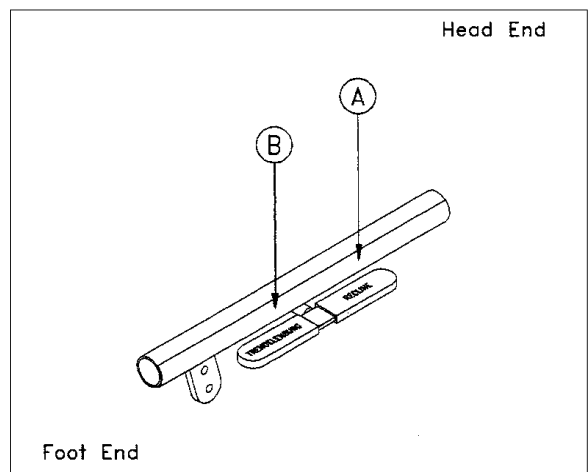


FIGURE 3-7

3.3 CPR / SURGICAL SUPPORT LEG ACCESSORY NUMBER HAPC02500

⚠ WARNING: TIPPING HAZARD —
The CPR / Surgical Support Legs should be used at any time when the unit is in the horizontal position, as shown in Figure 3-8.

3.3.1 Operating Instructions

See Figure 3-9.

CPR Use

1. Pull the hook and loop fastener away from the tubes.
2. Adjust the MBC to the desired horizontal position. The legs will automatically hinge into position and lock.
3. Pull the knob out and allow the rack to slide until it makes contact with the floor. Release the knob to engage the lock.
4. Ensure the knob is locked into position by pushing down on the head end of the unit. No slippage of the rack should occur.
5. The legs are now ready for use, ensuring rigid stability.

Storage

1. Pull the knob and slide the rack until it is fully retracted. Release the knob.
2. Push the slide collar up and fold the legs inward.
3. Wrap the hook and loop fastener around both legs and fasten it to itself.

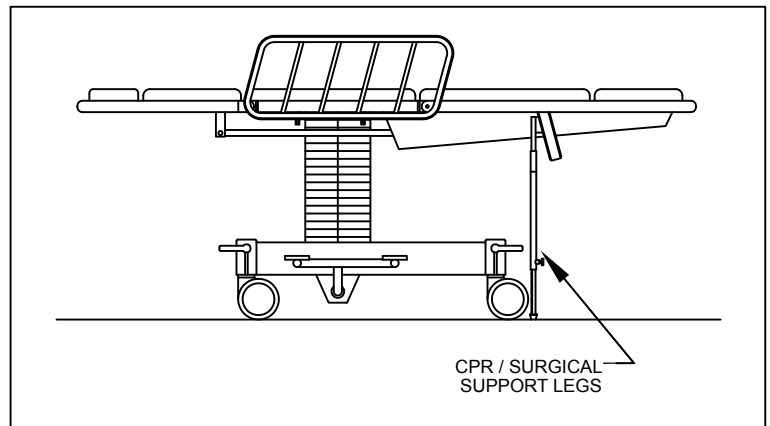


FIGURE 3-8

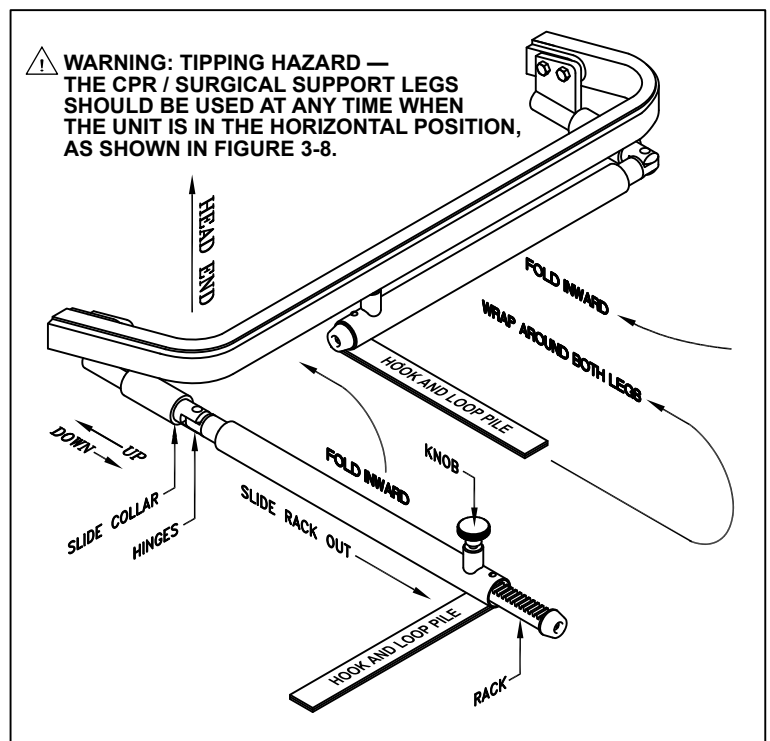


FIGURE 3-9

4 PREVENTIVE MAINTENANCE FOR THE USER

Component	Cleaning Procedure	Schedule	Cleaning Agent *	Special Notes
Pads / Mattresses	Wipe with damp cloth to remove any foreign material	After each use	Routine hospital grade disinfectants, soap and water	Use only medium strength cleaners Do not steam clean or pressure wash
Stretcher	Wipe with damp cloth to remove any foreign material		Routine hospital grade disinfectants, soap and water	Lubricate pivot points after cleaning
Mechanical stretcher components	Wipe with damp cloth to remove any foreign material		Routine hospital grade disinfectants, soap and water	Lubricate pivot points after cleaning
Mechanical accessories	Wipe with damp cloth to remove any foreign material		Routine hospital grade disinfectants, soap and water	Lubricate pivot points after cleaning
Procedure		Schedule	Material	
Lubricate all moving and sliding parts and hinge points		Every 3 months	Lubricating oil, light-duty grease, wax stick lubricant or Never-Seez lubricant	
⚠ NEVER LUBRICATE GAS SPRING, MOTOR, OR MECH-LOCK SHAFTS ⚠				
Inspect all fasteners to ensure proper fit, position and tightness, including nuts, bolts, etc.		Every 3 months	Proper size wrench and screwdriver	
Inspect all surfaces and remove any sharp or burred areas; apply touch-up paint where required			Metal file, proper color paint (specify color when ordering)	
* Disinfecting and Cleaning Upholstery - ALWAYS follow manufacturer's recommended dilution				
Disinfectants for vinyl products	Phenolic disinfectants are the best choice for vinyl			
	Properly diluted quaternaries are also acceptable for vinyl			
	Quaternary / Isopropyl disinfectants ARE NOT recommended for vinyl			
Disinfectants for urethane products	Quaternary disinfectants are recommended for urethane			
	Quaternary / Isopropyl disinfectants are recommended for urethane			
	Phenolics SHOULD BE AVOIDED on urethane.			
Disinfectants for all products	All fabrics may be cleaned with a 1:10 dilution of household bleaches containing 5.25% sodium hypochlorite as recommended by the Centers for Disease Control in Atlanta, Georgia; there is no harmful effect on the fabric			
	Disinfectants applied at full concentration or in highly concentrated solutions will decrease the useful life of fabric			
	Iodophor-type disinfectants used on fabric may result in staining			
Soils or Stains	Use neutral soapsuds and lukewarm water; DO NOT use harsh cleansers, solvents or detergents			
Hard-To-Clean Spots	Use standard household / vinyl cleansers and a soft bristle brush on troublesome spots or stains; presoak heavy, dried-on soil			
Laundering	Laundering Vinyl-laminated, Polyurethane-coated, or Rubber-coated fabric IS NOT recommended; laundering may substantially decrease the useful life of the fabric			

▲ NOTICE – POSSIBLE EQUIPMENT DAMAGE HAZARD: Steam cleaning and pressure washing of stretcher is not recommended and can void warranty.

Info: For more detailed information, please contact GF Health Products, Inc. at 1.770.368.4700.

Info: In addition to the User Preventive Maintenance, a more detailed Preventive Maintenance Program is also required to keep the equipment in good working order. This Preventive Maintenance Program is found on our website, at www.Hausted.com.

5 OPTIONAL ACCESSORIES

Accessories	
HAPC01200	Safety straps with hook and loop fasteners
HAPC14D00	Oxygen tank holder
HAPC02100	Patient tray
HAPC02600	Heel stirrups with mounting adaptors
HSA067100	Dorsocervical pillow (Qty. 1)
HSA071600	Patient safety strap with hook and loop fasteners, wide (Qty. 1)
H000018	Telescoping IV rod, stainless 27 in. to 50 in. (68 cm to 137 cm) 2-section with holder
H06123900	Armboard with 1 in. (2.5 cm) pad for reclined position
H06599000	Armboard with 1 in. (2.5 cm) pad for seated position

⚠ WARNING: It is recommended that only accessories approved by GF Health Products, Inc. be used with this device. The use of accessories, transducers, and cables other than those specified by the manufacturer may result in increased emissions or decreased immunity of the Hausted equipment.

Info: To order accessories, or for more detailed information on accessories, please contact GF Health Products, Inc. at 1.770.368.4700.

6 GF HEALTH PRODUCTS, INC. LIMITED WARRANTY FOR HAUSTED BRAND STRETCHERS AND CHAIRS

SCOPE OF WARRANTY

GF Health Products, Inc. ("GF") warrants to the original purchaser only that it will replace or repair components, at GF's sole discretion, that are defective in material or workmanship under normal use and service. All warranties are conditioned upon the proper use and maintenance of the products strictly in accordance with good commercial practice and applicable GF instructions and manuals. To the extent that a component is warranted by a third party, GF conveys all of its rights under that warranty to the original purchaser, to the extent permitted. This limited warranty shall only apply to defects that are reported in accordance with the provisions set forth in this warranty document within the applicable warranty period and which, upon examination by GF or its authorized representative, prove to be a warranty item. This limited warranty is not transferable.

The warranted components and time period are set forth below :

COMPONENT.....	PARTS WARRANTY.....	LABOR WARRANTY*
Frame.....	5 years.....	1 year
Casters.....	1 year.....	1 year
Electrical components.....	1 year.....	1 year
Hydraulics.....	1 year.....	1 year
Optional accessories.....	1 year.....	1 year
Patient weighing system.....	1 year.....	1 year
Pneumatic gas springs.....	1 year.....	1 year
Upholstered pads.....	1 year.....	1 year
Replacement parts**.....	90 days	

* The Labor Warranty applies only to products purchased within the U.S. Labor is not warranted for products purchased outside the U.S.

** The warranty period is as designated above. If a part is replaced under warranty, the original warranty period will not be affected. All other replacement parts will be subject to the warranty period specified.

The applicable warranty period shall commence from date of shipment to the original customer, unless there is an expiration date on the component in which case the warranty shall expire on the earlier of warranty period or the expiration date.

OBTAINING WARRANTY SERVICE

Obtaining Warranty Service Inside the U.S.: A GF Customer Service Representative must authorize warranty service. Please contact the GF Customer Service department by calling 1.770.368.4700 or by e-mailing a request to cs@grahamfield.com. Specific directions will be provided by the Customer Service Representative. Failure to abide by the specific directions will result in denial of the warranty claim.

Obtaining Warranty Service Outside the U.S.: The Purchaser must contact the Distributor from whom the product was purchased, commensurate with the guidelines set forth by that Distributor. Failure to abide by the specific directions will result in denial of the warranty claim.

EXCLUSIONS

The warranty does not cover and GF shall not be liable for the following:

- 1) Defects, damage, or other conditions caused, in whole or in part, by misuse, abuse, negligence, alteration, accident, freight damage, tampering or failure to seek and obtain repair or replacement in a timely manner;
- 2) Products which are not installed, used, or properly cleaned and maintained as required in the official manual for the applicable product;
- 3) Products considered to be of a consumable nature including, but not limited to: filters, fuses, gaskets and lubricants;
- 4) Accessories or parts not provided by GF;
- 5) Charges by anyone for adjustments, repairs, replacement parts, installation or other work performed upon or in connection with such products which are not expressly authorized in writing, in advance, by GF;
- 6) Any shipping charges incurred in the replacement part installation or repair;
- 7) Costs and expenses of regular maintenance and cleaning; and
- 8) Representations and warranties made by any person or entity other than GF.

ENTIRE WARRANTY, EXCLUSIVE REMEDY AND CONSEQUENTIAL DAMAGES DISCLAIMER

THIS WARRANTY IS GF'S ONLY WARRANTY AND IS IN LIEU OF ALL OTHER WARRANTIES, EXPRESS OR IMPLIED. GF MAKES NO IMPLIED WARRANTIES OF ANY KIND INCLUDING ANY IMPLIED WARRANTIES OF MERCHANTABILITY OR FITNESS FOR A PARTICULAR PURPOSE.

IF ANY MODEL OR SAMPLE WAS SHOWN TO THE CUSTOMER, SUCH MODEL OR SAMPLE WAS USED MERELY TO ILLUSTRATE THE GENERAL TYPE AND QUALITY OF THE PRODUCT AND NOT TO REPRESENT THAT THE PRODUCT WOULD NECESSARILY CONFORM TO THE MODEL OR SAMPLE IN ALL RESPECTS.

THIS WARRANTY IS LIMITED TO THE REPAIR OR REPLACEMENT OF THE DEFECTIVE PARTS. GF SHALL NOT BE LIABLE FOR AND HEREBY DISCLAIMS ANY DIRECT, SPECIAL, INDIRECT, INCIDENTAL, EXEMPLARY OR CONSEQUENTIAL DAMAGES, INCLUDING, BUT NOT LIMITED TO: DAMAGES FOR LOSS OF PROFITS OR INCOME, LOSS OF USE, DOWNTIME, COVER, OR EMPLOYEE OR INDEPENDENT CONTRACTOR WAGES, PAYMENTS AND BENEFITS.

CERTAIN STATES MAY CONFER ADDITIONAL RIGHTS REGARDING WARRANTIES AND IN THOSE STATES GF'S LIABILITY AND THE LIABILITY OF GF'S SUPPLIERS, SHALL BE LIMITED TO THE FULLEST EXTENT PERMITTED BY LAW.

The warranties contained herein, together with GF's Terms and Conditions, found on GF's website and which may be updated from time to time, contain all the representations and warranties with respect to the subject matter of this document, and supersede all prior negotiations, agreements and understandings with respect thereto. The recipient of this document hereby acknowledges and represents that it has not relied on any representation, assertion, guarantee, warranty, collateral contract or other assurance, except those set out in this document.

For additional information on this Hausted product or this warranty, please contact a GF Customer Service Representative.

NOTES:

- 1) Additional terms and conditions may apply.
- 2) Outward freight damage must be notated on the appropriate shipping documents.
- 3) Claims for any short shipment or concealed damage must be made within three (3) days of the invoice date.
- 4) Additional international, federal and state regulations govern specific requirements for freight claims. Failure to abide by those regulations may result in a denial of the freight claim. GF will assist you in filing the freight claim.

7 DISPOSAL AND KEY TO SYMBOLS

DISPOSAL

Hausted equipment and accessories can be disposed of.











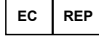





We recommend disassembling and dividing the equipment and components into different waste groups such as: metal, cable, electronic, recoverable resource and plastic for recycling or combustion.

Most plastic components are provided with a plastic types code and fiber content to aid sorting of plastic parts.

Product	Metal Scrap	Cable Scrap	Electronic Scrap	Plastic Recycling or Combustion
MBC	X	—	—	X

KEY TO SYMBOLS

The following symbols are used on Hausted product labels.

	Protective Earth		Manufacturer
	Earth Ground		Keep Dry
	General Warning Sign		Fragile, Handle with Care
	CE Mark		Electrical and Electronic Equipment
	ETL		Consult Instructions for Use
	European Authorized Representative		Caution
	Disconnect before Service		Pinch Point
	Medical Device		Unique Device Identifier

www.hausted.com
www.grahamfield.com

8 INDEX

- A**
 - Accessories, optional, list 12
 - Advisory 3
 - A word from GF Health Products, Inc. 3
- B**
 - Base language of this document 3
 - Brakes, applying 8
 - Brakes, releasing 8
 - Braking and steering operation 8
- C**
 - CAUTION statement, significance 4
 - Cleaning 11
 - CPR / Surgical Support Leg Accessory number HAPC025 10
 - CPR / Surgical Support Leg use and storage 10
- D**
 - DANGER statement, significance 4
 - DANGER / WARNING / CAUTION / NOTICE Summary 4
 - Disposal 14
- E**
 - EC Authorized Representative: 3
- H**
 - Height adjustment 9
- I**
 - Indications for Use 3
 - Info statement, significance 4
- K**
 - Key to symbols 14
- L**
 - Limited warranty 13
 - Lubrication 11
- M**
 - Manufactured by: 3
- N**
 - NOTICE statement, significance 4
- O**
 - Operating instructions 6
- S**
 - Safety statements, significance of 4
 - Service information 3
 - Specifications 7
 - Steering lock, applying 8
 - Steering lock, releasing 8
 - Symbol key, Hausted product labels 14
- T**
 - Top adjustment 9
 - Trendelenburg adjustment 9
 - Troubleshooting guide 11
- U**
 - Uncrating instructions 5
 - Unpacking instructions 5
- W**
 - Warnings 4
 - WARNINGS and CAUTIONS, list 4
 - WARNING statements 4
 - WARNING statement, significance 4
 - Warranty, limited 13

Hausted®

www.hausted.com
www.grahamfield.com

by graham-field



1.770.368.4700

Manufactured by:
GF Health Products, Inc.
One Graham-Field Way
Atlanta GA 30340-3140

Information contained herein is subject to change.
The most current and complete product information can be found on our website.
www.hausted.com / www.grahamfield.com

Follow us on   

© 2014, GF Health Products, Inc. All Rights Reserved.
Hausted is a trademark of GF Health Products, Inc.,
One Graham-Field Way, Atlanta GA 30340-3140
GF Health Products, Inc. is an ISO 13485:2016 / MDSAP Certified Company